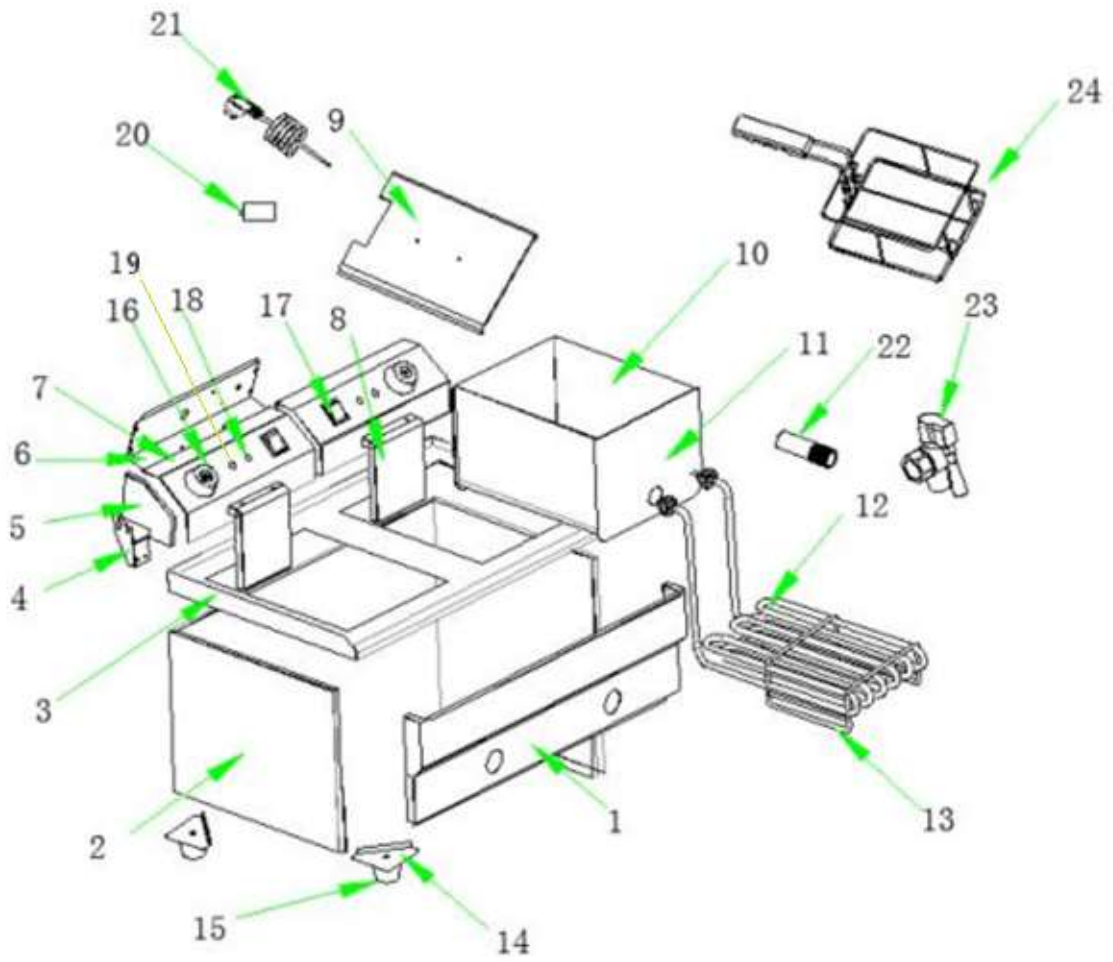


ELECTRIC FRYER HURAKAN HKN-FT1010N



**ELECTRIC FRYER HURAKAN HKN-FT1010N**

Ref.	Part name
1	Front panel
2	Side panel
3	Top panel
4	Shaft support plate
5	Side panel for top box
6	Rear panel for top box
7	Front panel for top box
8	Oil gauge panel
9	Cover for oil tank
10	Oil tank
11	Front panel for oil tank
12	Heating tube
13	Support for heating tube
14	Fixtor for feed
15	Feet
16	Temperature with knob
17	Switch
18	Indicator light
19	Indicator light
20	Microswitch
21	Power cord
22	Outlet pipe
23	Tap
24	Basket