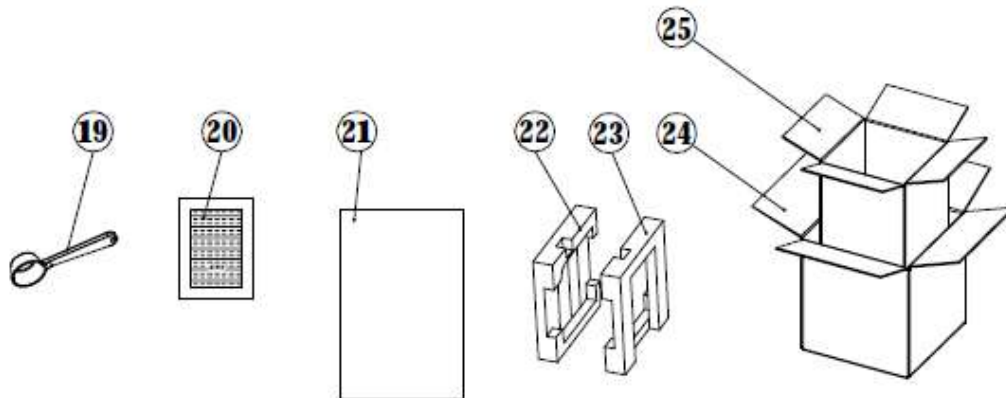
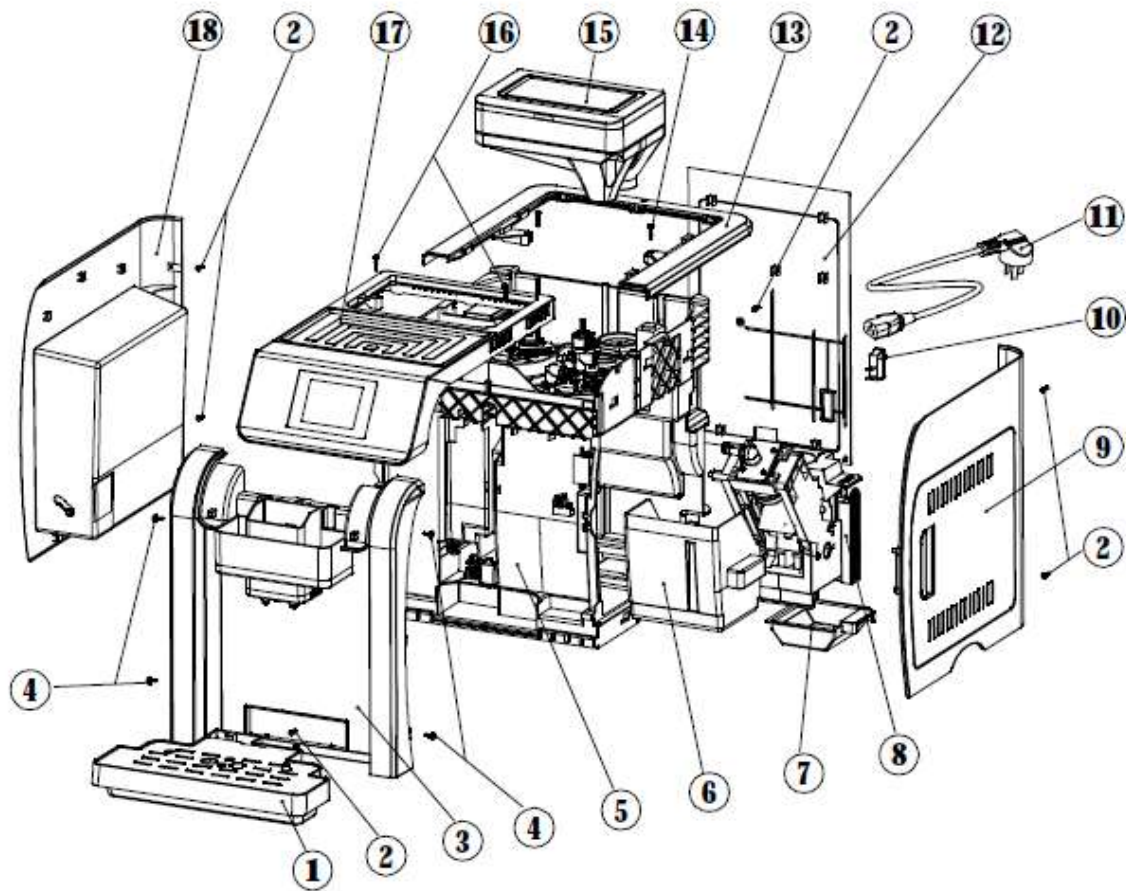


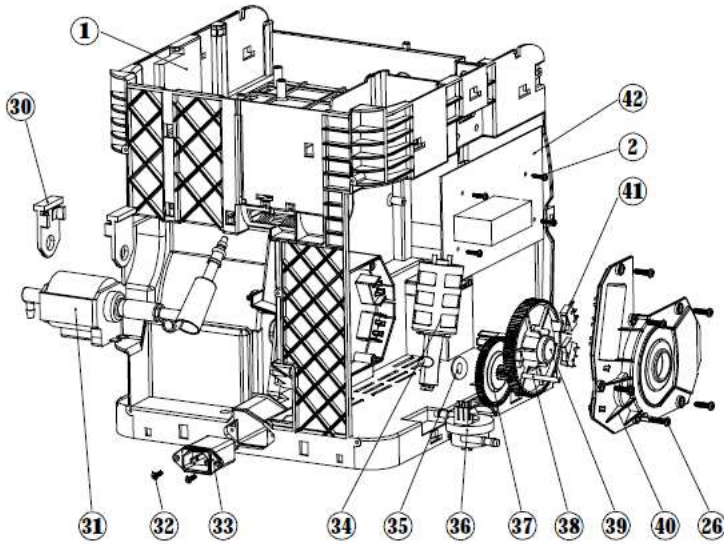
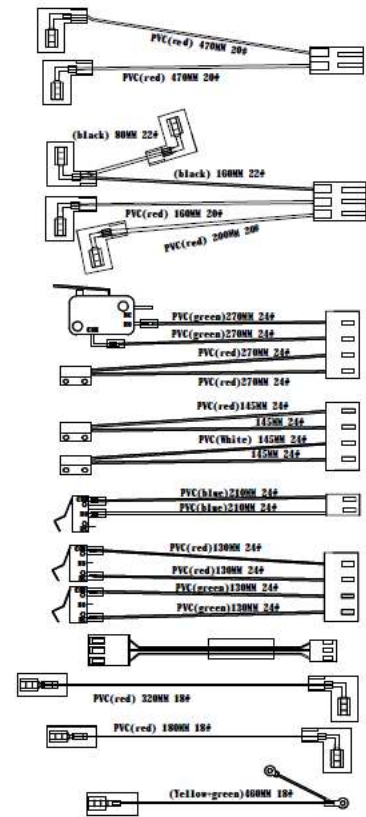
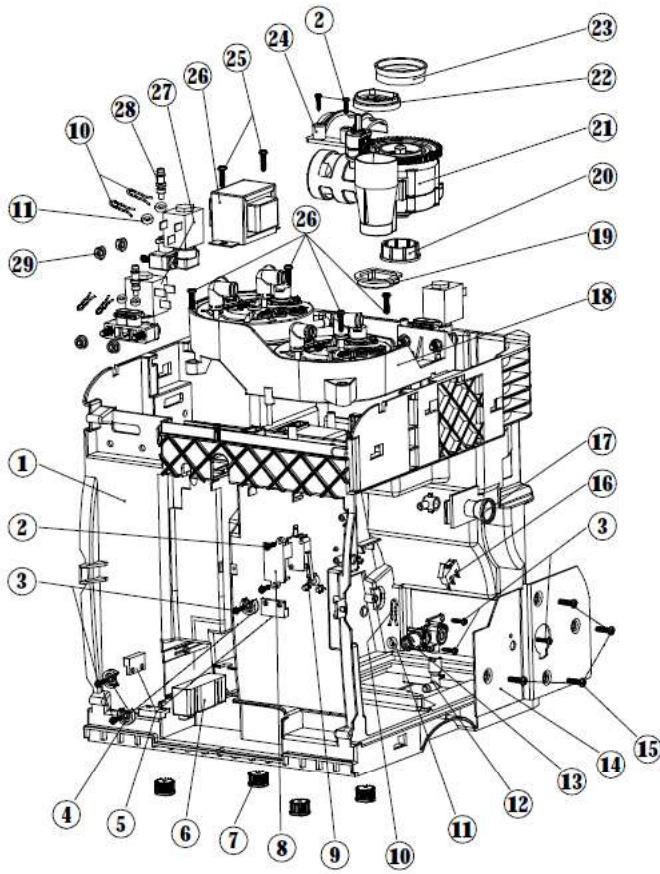
COFFEE MACHINE HURAKAN HKN-ME717
Drawing 02



**COFFEE MACHINE HURAKAN HKN-ME717****Drawing 02**

Ref.	Part name	Quant.	Draw.
1	Drip pan unit	1	02
2	Screw	6	02
3	Front panel unit	1	02
4	Screw	4	02
5	Machine bracket unit	1	02
6	Dregs box unit	1	02
7	Dregs box	1	02
8	Brewing core group unit	1	02
9	Right panel unit	1	02
10	Switch	1	02
11	Electrical wire	1	02
12	Back cover	1	02
13	U cover	1	02
14	Screw	2	02
15	Bean tank unit	1	02
16	Screw	2	02
17	Top cover unit	1	02
18	Left panel unit	1	02
19	Coffee scoop	1	02
20	User manual	1	02
21	PE bag	1	02
22	left packing cover	1	02
23	Right packing cover	1	02
24	Inner cotton box	1	02
25	Outer cotton box	1	02

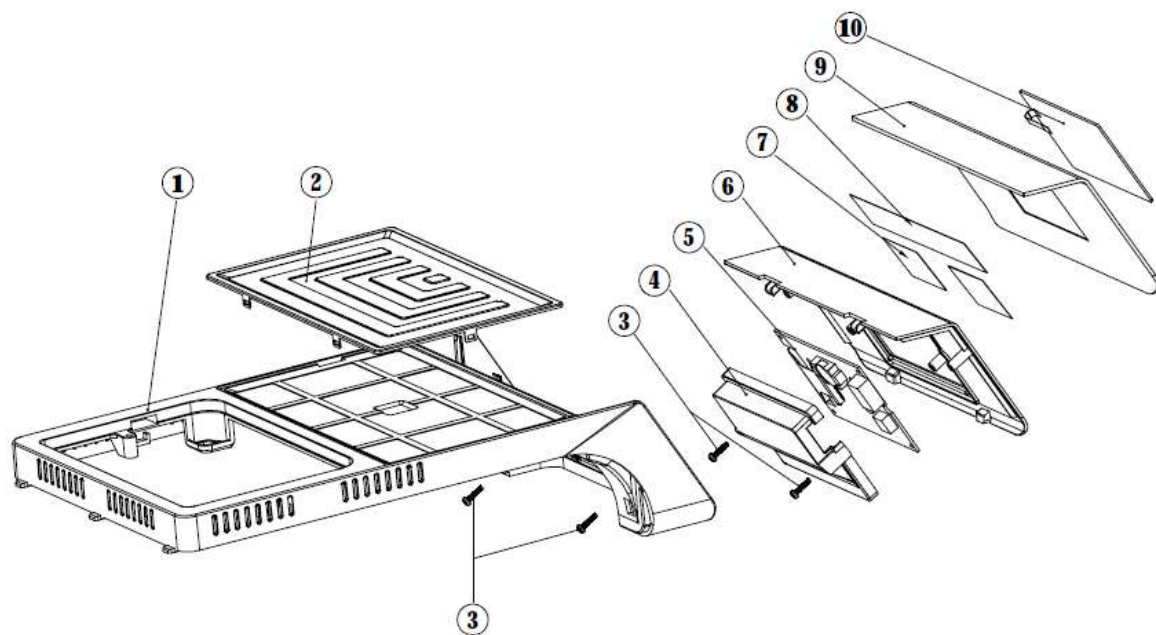
COFFEE MACHINE HURAKAN HKN-ME717
Drawing 00800 2



**COFFEE MACHINE HURAKAN HKN-ME717****Drawing 00800 2**

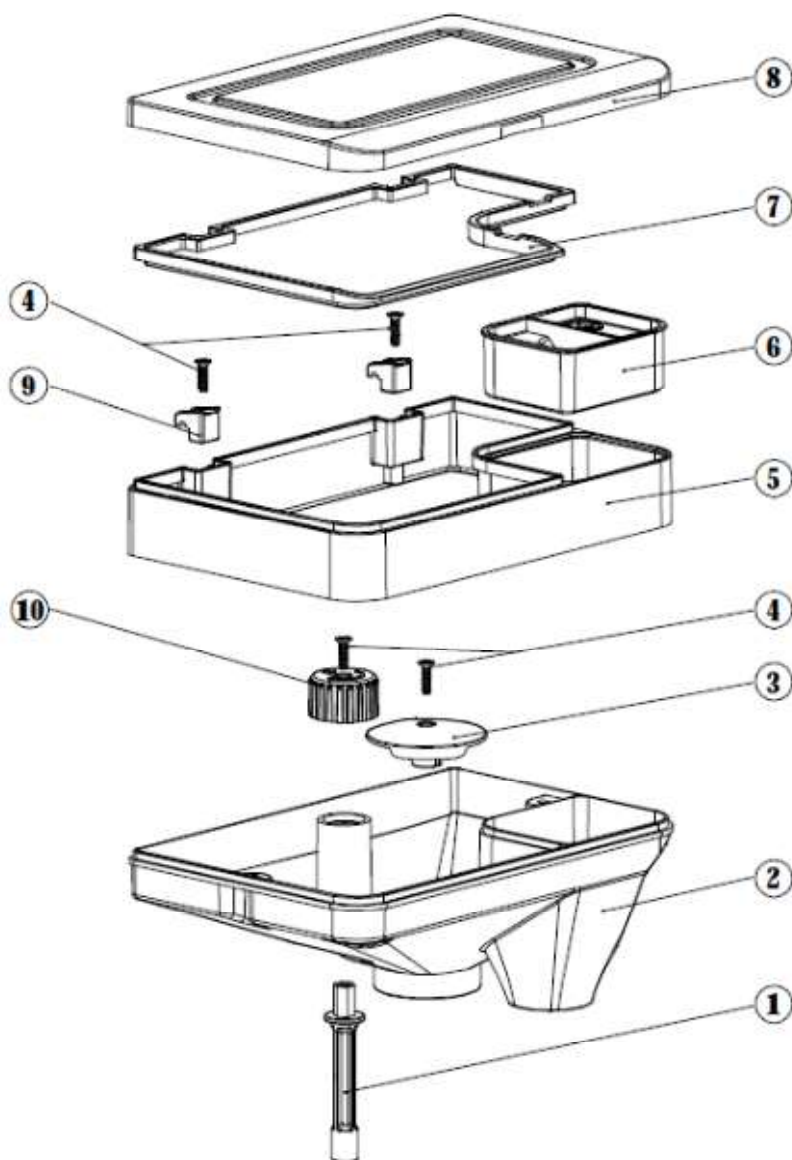
Ref.	Part name	Quant.	Draw.
1	Machine bracket	1	00800 2
2	Screw	8	00800 2
3	Screw	6	00800 2
4	Filter upper couplings	3	00800 2
5	Proximity switch	3	00800 2
6	Drip tray	1	00800 2
7	Foot rubber	4	00800 2
8	Switch cover	1	00800 2
9	Switch	1	00800 2
10	Steam clamp	7	00800 2
11	O-ring	7	00800 2
12	Drip tray coupling	1	00800 2
13	Water inlet valve unit	1	00800 2
14	Fixed plate	1	00800 2
15	Screw	4	00800 2
16	Waterproof switch	1	00800 2
17	Coffee connector	1	00800 2
18	Heating unit	1	00800 2
19	Powder flow sleeve	1	00800 2
20	Grinder motor rubber	1	00800 2
21	Grinder motor unit	1	00800 2
22	Powder outlet sleeve	1	00800 2
23	Sealing ring	1	00800 2
24	Motor-fixed cover	1	00800 2
25	Screw	12	00800 2
26	Transformers	1	00800 2
27	Solenoid valve unit	1	00800 2
28	Connector	2	00800 2
29	Flange nut	4	00800 2
30	Support bracket	2	00800 2
31	Pump unit	1	00800 2
32	Screw	1	00800 2
33	Filter	1	00800 2
34	Transmission motor unit	1	00800 2
35	Washer	1	00800 2
36	Flowmeter	1	00800 2
37	Transmission skew gear	1	00800 2
38	Shaft	1	00800 2
39	Transmission gear	1	00800 2
40	Transmission shaft	1	00800 2
41	Switch	2	00800 2
42	PCB	1	00800 2

COFFEE MACHINE HURAKAN HKN-ME717
Drawing 00101



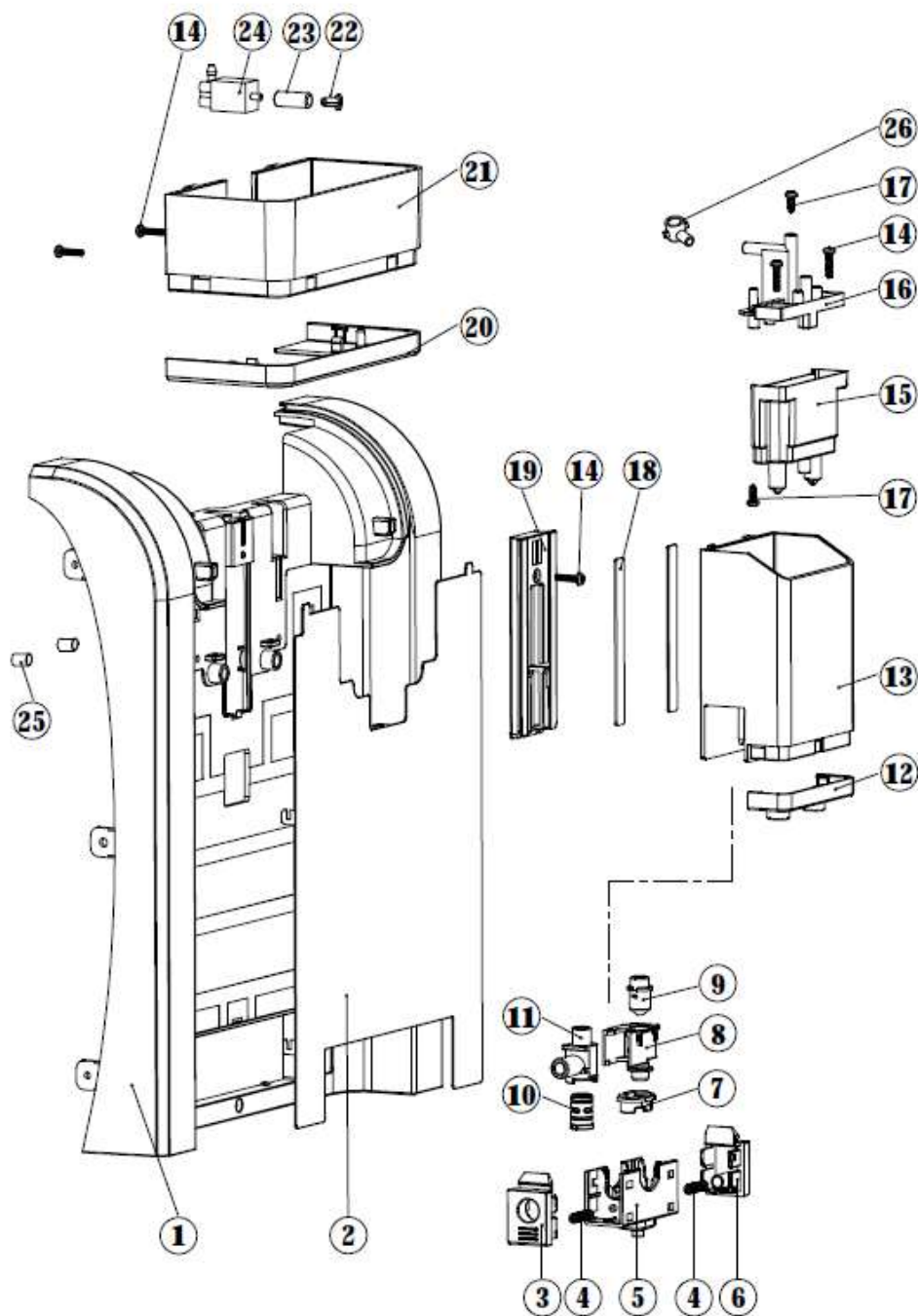
**COFFEE MACHINE HURAKAN HKN-ME717****Drawing 00101**

Ref.	Part name	Quant.	Draw.
1	Top cover	1	00101
2	Warm cup panel	1	00101
3	Screw	1	00101
4	LCD screen back cover	1	00101
5	LCD screen unit	1	00101
6	The control panel seat	1	00101
7	Double-sided adhesive	1	00101
8	Double-sided adhesive	1	00101
9	The control board cover	1	00101
10	Touch screen	1	00101



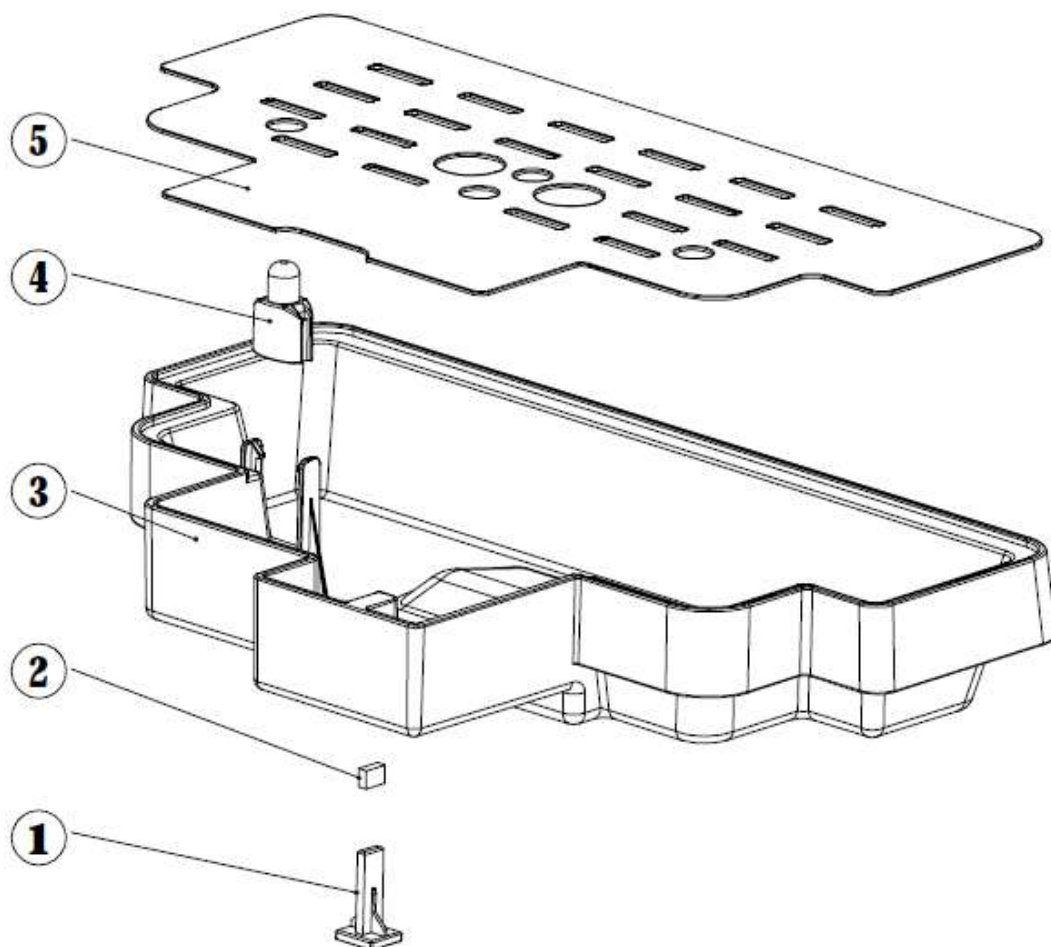
**COFFEE MACHINE HURAKAN HKN-ME717****Drawing 00102**

Ref.	Part name	Quant.	Draw.
1	Adjusting rod	1	00102
2	Bean tank bottom	1	00102
3	Bean grinding cover	1	00102
4	Screw	4	00102
5	Bean tank body	1	00102
6	Powder lid	1	00102
7	Sealing strip	1	00102
8	Bean tank lid	1	00102
9	Fixed block	2	00102
10	Adjustment knob	1	00102



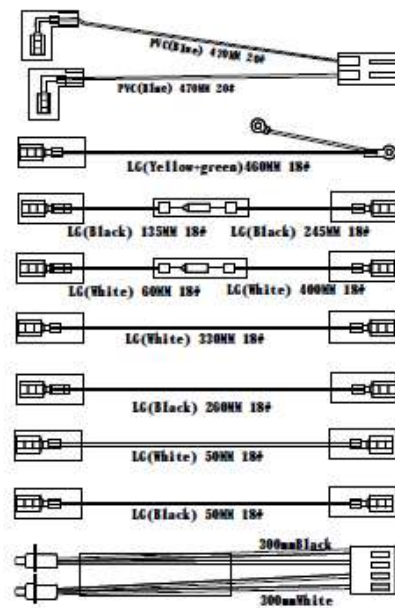
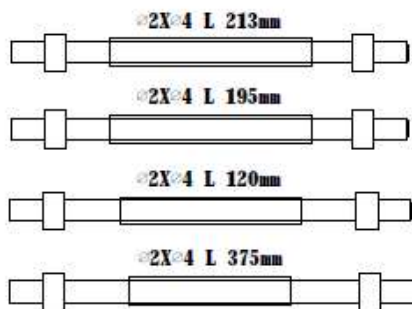
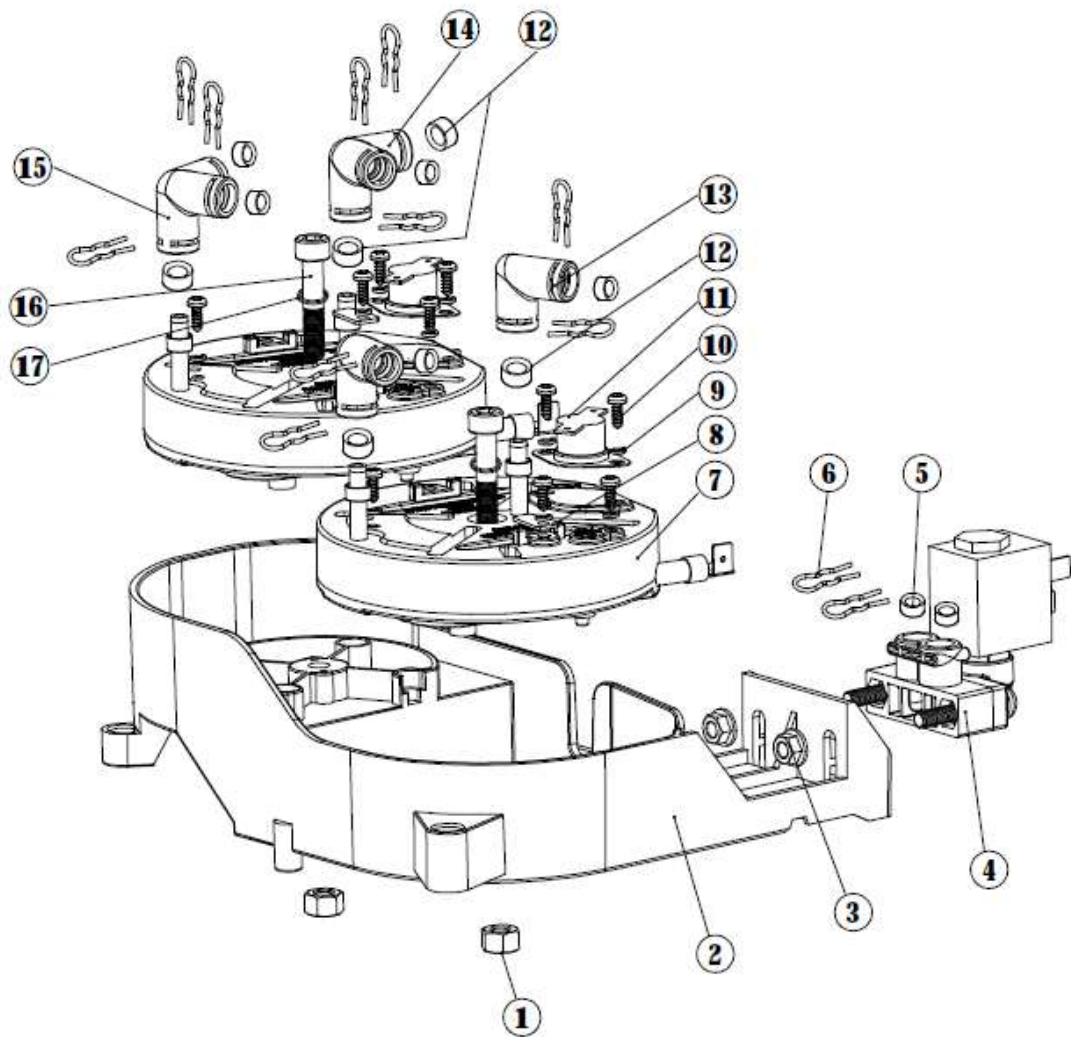
**COFFEE MACHINE HURAKAN HKN-ME717****Drawing 00103**

Ref.	Part name	Quant.	Draw.
1	Front panel	1	00103
2	Trim panel	1	00103
3	Fixed buckle(left)	1	00103
4	Spring	2	00103
5	Bracket	1	00103
6	Fixed buckle(right)	1	00103
7	Sealing cover	1	00103
8	Support	1	00103
9	Nozzle	1	00103
10	Adjusting knob	1	00103
11	Connector	1	00103
12	Flexible handle	1	00103
13	Decoration piece	1	00103
14	Screw	5	00103
15	Coffee groove	1	00103
16	Pipe joint	1	00103
17	Screw	2	00103
18	Friction disk	2	00103
19	Guide	1	00103
20	Decoration piece	1	00103
21	Cover plate	1	00103
22	Plug	1	00103
23	Silicone tube	1	00103
24	Air valve	1	00103
25	Magnet	2	00103
26	coffee adapter	1	00103
27	Silicone tube	1	00103
28	Silicone tube	1	00103
29	Silicone tube	1	00103
30	Silicone tube	1	00103



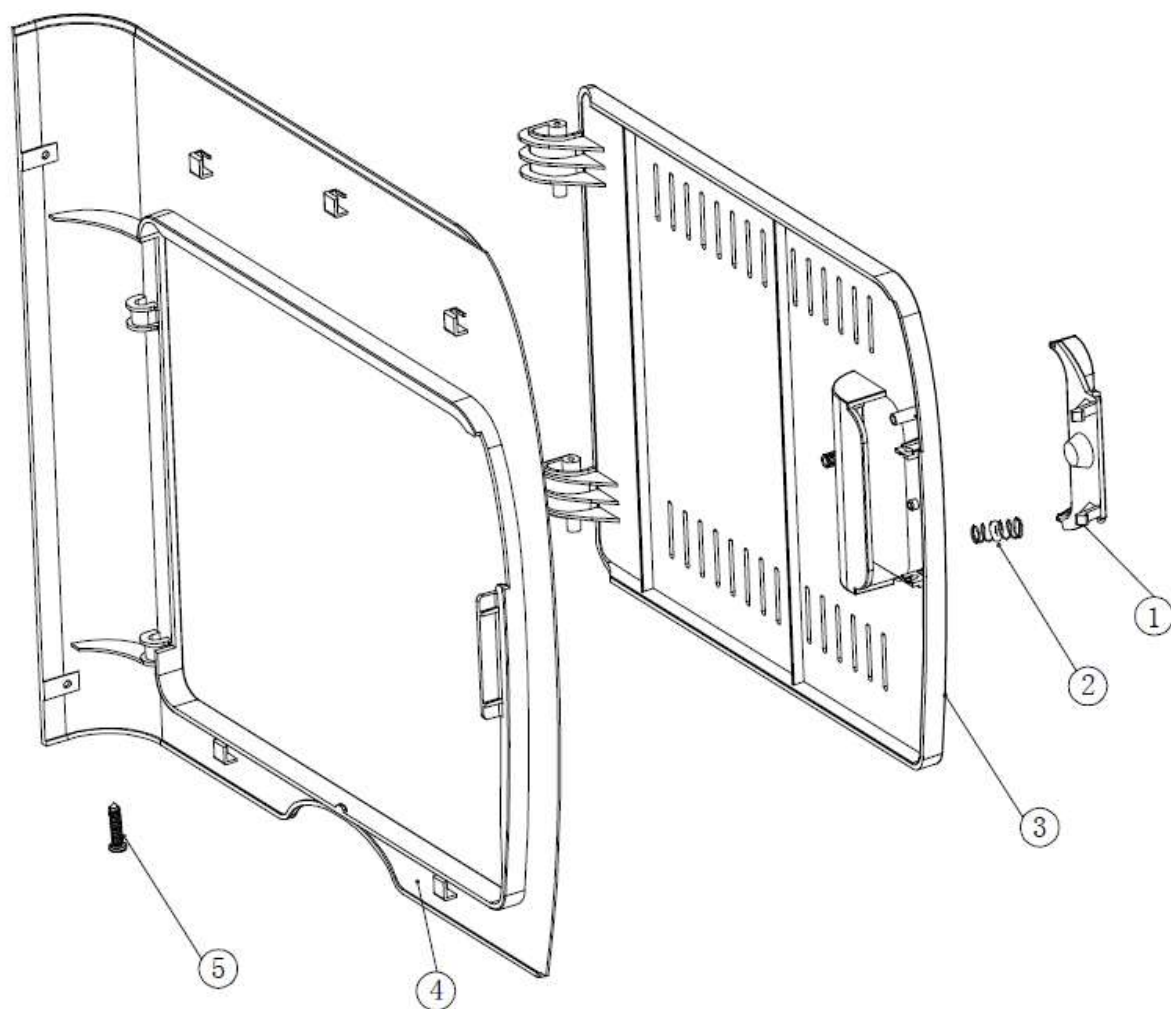
**COFFEE MACHINE HURAKAN HKN-ME717****Drawing 00105**

Ref.	Part name	Quant.	Draw.
1	Magnet holder	1	00105
2	Magnet	1	00105
3	Drip pan	1	00105
4	Float	1	00105
5	Drip tray	1	00105



**COFFEE MACHINE HURAKAN HKN-ME717****Drawing 00106**

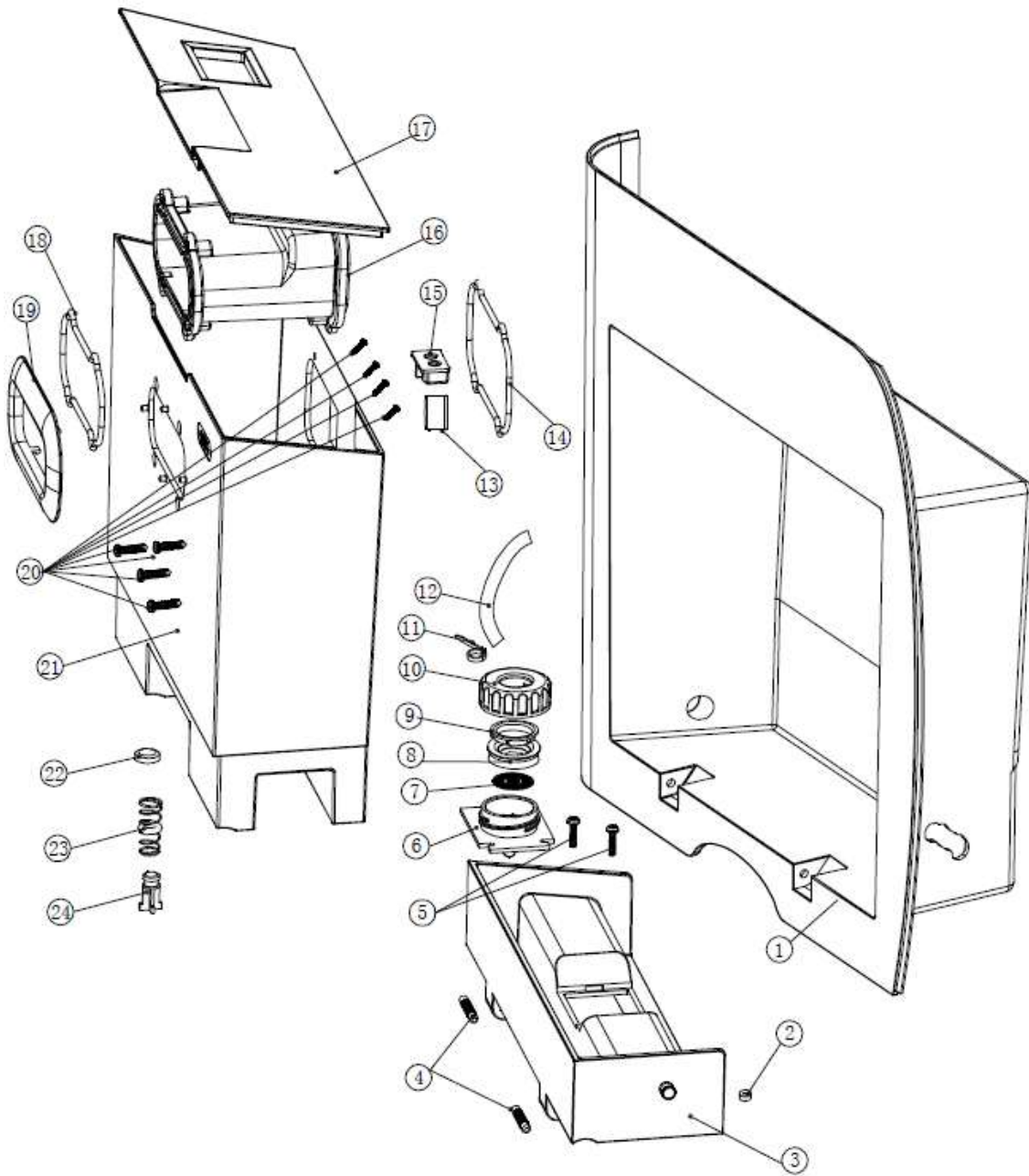
Ref.	Part name	Quant.	Draw.
1	Nut	2	00106
2	Boiler bucket	1	00106
3	Flange nut	2	00106
4	Electromagnetic valve group	1	00106
5	O-ring	7	00106
6	Pipe clamp	12	00106
7	Heating tank	2	00106
8	Fuse-fixed tablet	2	00106
9	Spring washer	8	00106
10	Screw	10	00106
11	Mechanical thermostat	2	00106
12	O-ring	5	00106
13	Right-angle connector	2	00106
14	Three joints	1	00106
15	Three joints	1	00106
16	Screw bolt	2	00106
17	Spring washer	2	00106



COFFEE MACHINE HURAKAN HKN-ME717
Drawing 00400

Ref.	Part name	Quant.	Draw.
1	Door lock	1	00400
2	Door lock spring	1	00400
3	Brewing door	1	00400
4	Right panel	1	00400
5	Screw	1	00400

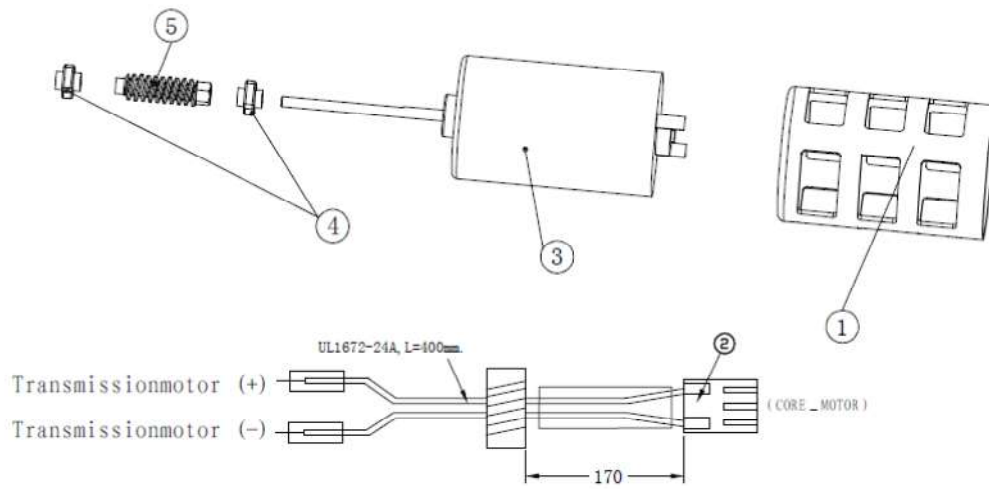
COFFEE MACHINE HURAKAN HKN-ME717
Drawing 00500



**COFFEE MACHINE HURAKAN HKN-ME717****Drawing 00500**

Ref.	Part name	Quant.	Draw.
1	Left panel	1	00500
2	Teflon tube	1	00500
3	Water tank bottom	1	00500
4	Water tank shaft	2	00500
5	Screw	2	00500
6	Water outlet bracket	1	00500
7	Water outlet filter	1	00500
8	U ring	1	00500
9	Filter ring	1	00500
10	Outlet lid	1	00500
11	Ties	1	00500
12	Silicone tube	1	00500
13	Water tank float	1	00500
14	Handle o-ring	1	00500
15	Float holder	1	00500
16	Water tank handle	1	00500
17	Water tank lid	1	00500
18	Handle o-ring	1	00500
19	Handle cover	1	00500
20	Screw	8	00500
21	Water tank	1	00500
22	Water tank o-ring	1	00500
23	Water tank spring	1	00500
24	Water tank valve	1	00500

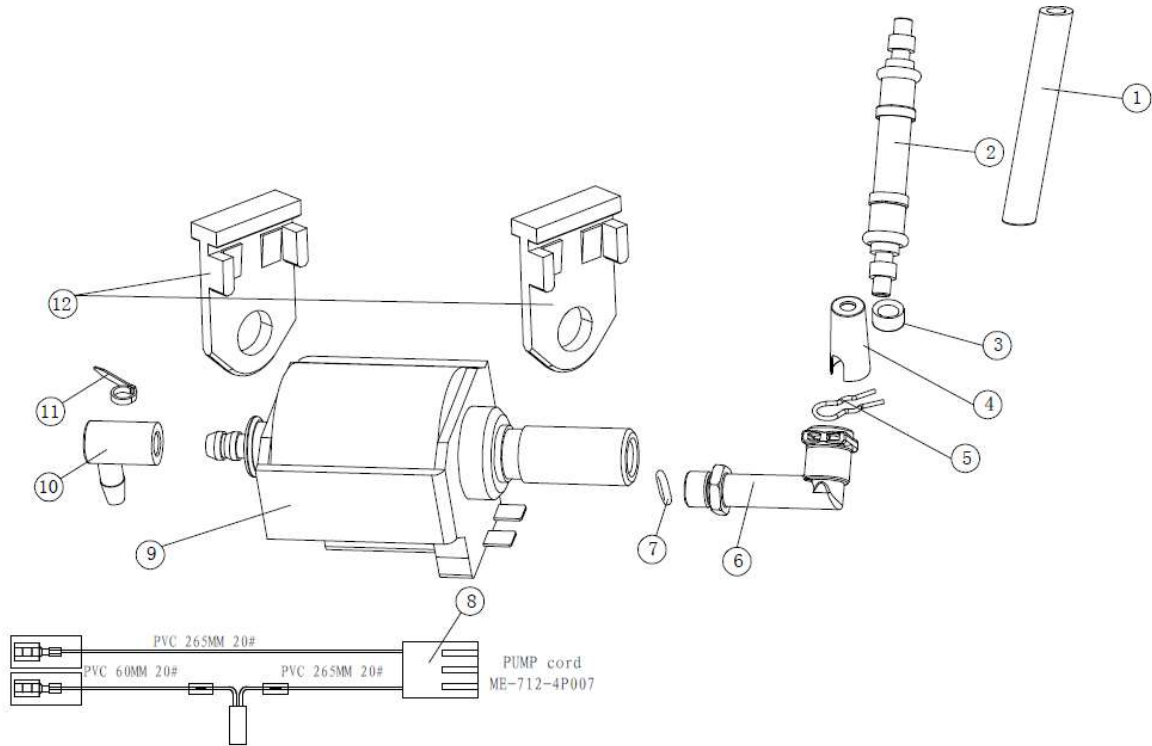
COFFEE MACHINE HURAKAN HKN-ME717
Drawing 00801



**COFFEE MACHINE HURAKAN HKN-ME717****Drawing 00801**

Ref.	Part name	Quant.	Draw.
1	Motor sleeve	1	00801
2	Worm	2	00801
3	Motor cords	1	00801
4	Motor	1	00801

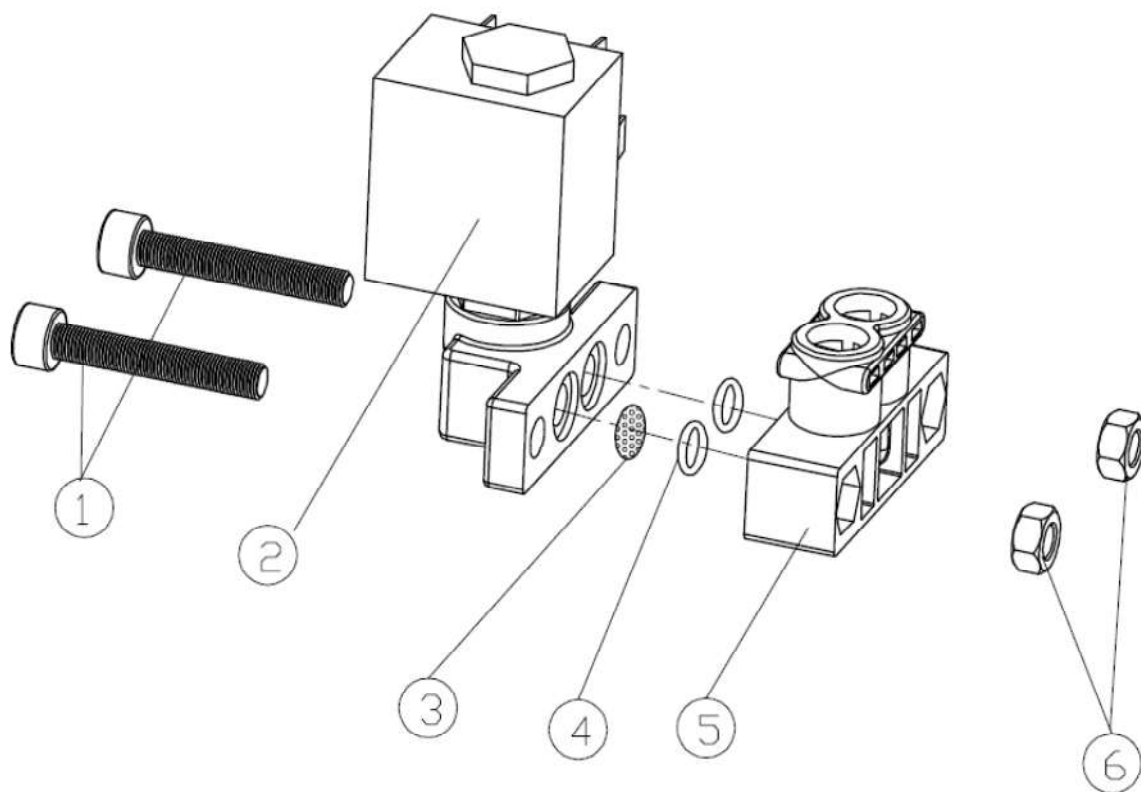
COFFEE MACHINE HURAKAN HKN-ME717
Drawing 00802



COFFEE MACHINE HURAKAN HKN-ME717
Drawing 00802

Ref.	Part name	Quant.	Draw.
1	Silicone tube	1	00802
2	Pump hose	1	00802
3	O-ring	1	00802
4	Pump waterproof O-ring	1	00802
5	Steam clamp	1	00802
6	Pump fittings	1	00802
7	O-ring	1	00802
8	Pump cords	1	00802
9	Pump	1	00802
10	Pump fitting	1	00802
11	Ties	1	00802
12	Support bracket	2	00802

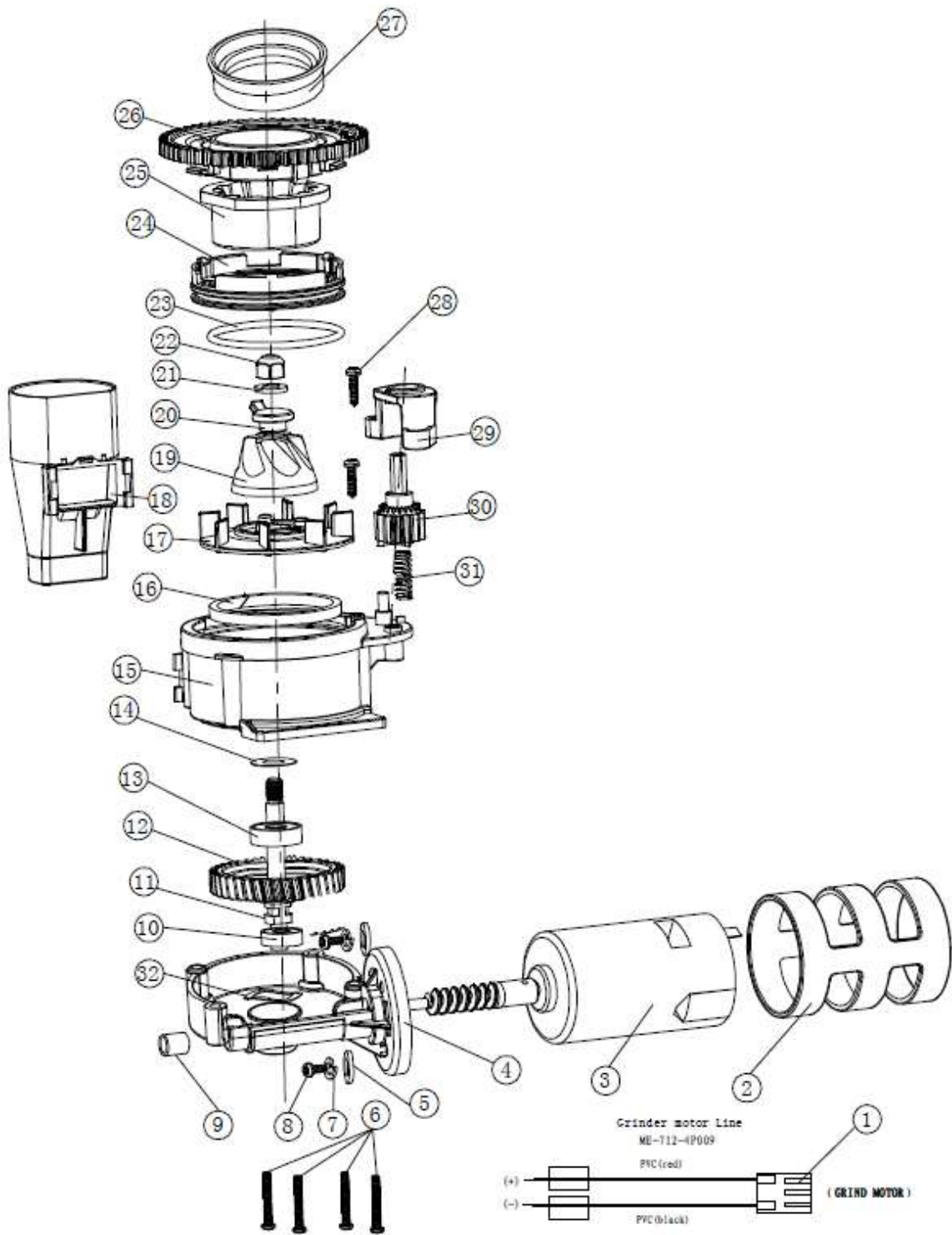
COFFEE MACHINE HURAKAN HKN-ME717
Drawing 00803



**COFFEE MACHINE HURAKAN HKN-ME717****Drawing 00803**

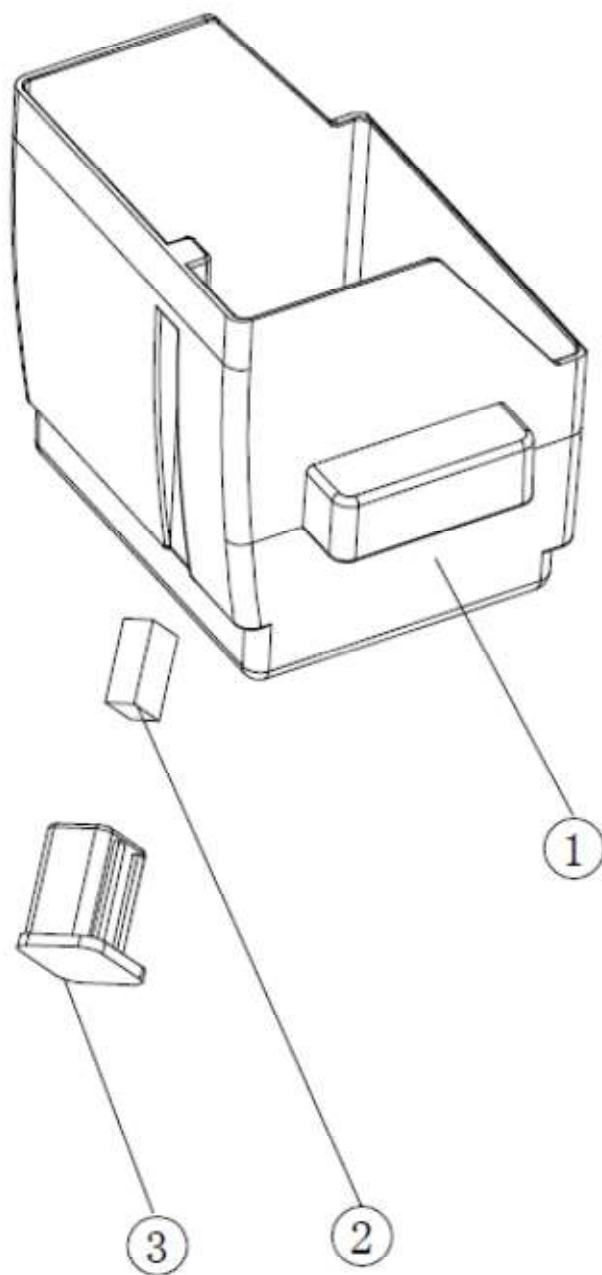
Ref.	Part name	Quant.	Draw.
1	Hex nut	2	00803
2	Solenoid valve	1	00803
3	Filter	1	00803
4	O-ring	2	00803
5	Solenoid valve connector	1	00803
6	Hex nuts	2	00803

COFFEE MACHINE HURAKAN HKN-ME717
Drawing 00900



**COFFEE MACHINE HURAKAN HKN-ME717****Drawing 00900**

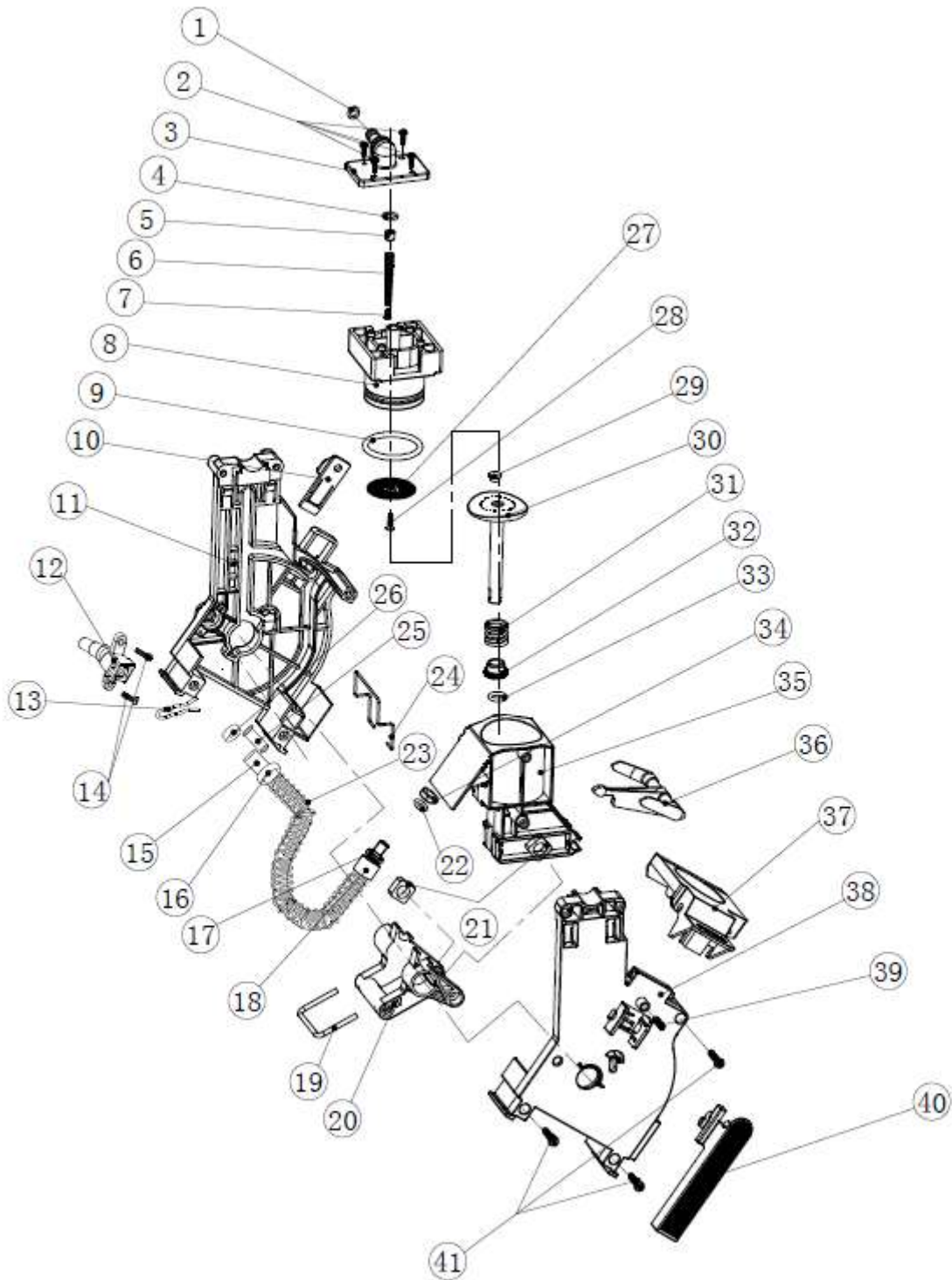
Ref.	Part name	Quant.	Draw.
1	Grinder motor cords	1	00900
2	Motor sleeve	1	00900
3	Grinder motor	1	00900
4	Grinder Bottom	1	00900
5	Washer	2	00900
6	Screw	4	00900
7	Shap spring	2	00900
8	Screw	2	00900
9	Needle roller bearing	2	00900
10	Bearing	1	00900
11	Shaft	1	00900
12	Grinder gear	1	00900
13	Bearing	1	00900
14	Washer	1	00900
15	Grinder bracket	1	00900
16	Felt	1	00900
17	Powder turntable	1	00900
18	Powder inlet	1	00900
19	Inner wheel for grinder	1	00900
20	Bean rabble	1	00900
21	Washer	1	00900
22	Screw	1	00900
23	O-ring	1	00900
24	Outer wheel cover	1	00900
25	Outer wheel for grinder	1	00900
26	Outer wheel bracket	1	00900
27	O-ring	1	00900
28	Screw	2	00900
29	Gear cover	1	00900
30	Gear	1	00900
31	Spring	1	00900
32	Wave spring	1	00900



**COFFEE MACHINE HURAKAN HKN-ME717****Drawing 01100**

Ref.	Part name	Quant.	Draw.
1	Dregs box	1	01100
2	Magnet of water tank	1	01100
3	Magnet holder	1	01100

COFFEE MACHINE HURAKAN HKN-ME717
Drawing 01200



**COFFEE MACHINE HURAKAN HKN-ME717****Drawing 01200**

Ref.	Part name	Quant.	Draw.
1	Coffe spout the o-ring	1	01200
2	Screw	4	01200
3	Coffee spout tube	1	01200
4	Brewing unit water tie-in	1	01200
5	Pressure adjusting knob	1	01200
6	Brewing valve spring	1	01200
7	Pressurized one way valve	1	01200
8	Top filtration pane	1	01200
9	Top filtration panel O hape ring	1	01200
10	Brewing unit fixing bolt	1	01200
11	Brewing unit left rack	1	01200
12	Brewing unit water tie-in	1	01200
13	Brewing unit thin nut 8.0	1	01200
14	Screw BTP3X 8	2	01200
15	Brewing unit Teflon tube	1	01200
16	Brewing unit water pipe circularity	1	01200
17	Brewing cavity water intake	1	01200
18	Brewing unit water pipe clamp cover	1	01200
19	Connecting rod insert	1	01200
20	Brewing unit transform link pole	1	01200
21	Brewing unit slide block	2	01200
22	Thimble O-ring	1	01200
23	Brewing unit pipe spring	1	01200
24	Powder torsion spring	1	01200
25	River D4	1	01200
26	Front plane steam pipe ring	1	01200
27	Filtration slice	1	01200
28	Screw	1	01200
29	Push panel stopper	1	01200
30	Push panel	1	01200
31	Brewing spring	1	01200
32	Push panel sheath	1	01200
33	Push panel O shape ring	1	01200
34	Hexangular thin nut 6.0	1	01200
35	Brewing cavity	1	01200
36	Pushing dregs link rod	1	01200
37	Brewing unit tundish	1	01200
38	Brewing unit right rack	1	01200
39	Core handle spring	1	01200
40	Brewing unit handle	1	01200
41	Screw	3	01200